



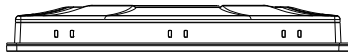
Feature

- Boasts excellent performance with better operation experience compared to its predecessor.
- Weintek's compact HMI Series-iP has upgraded in every aspect to satisfy a variety of applications.
 - Equipped with ARM RISC 528MHz CPU.
 - Wide input voltage range: 10.5~28VDC
 - Seamlessly upgraded from EB8000 to EasyBuilder Pro.

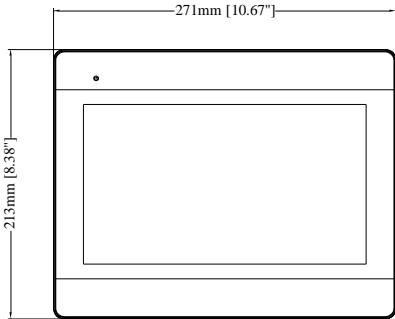
| | | |
|----------------------|---------------------------------|--|
| Display | Display | 10.1" TFT |
| | Resolution | 1024 x 600 |
| | Brightness (cd/m ²) | 350 |
| | Contrast Ratio | 500:1 |
| | Backlight Type | LED |
| | Backlight Life Time | >20,000 hrs. |
| | Colors | 16.7M |
| | LCD Viewing Angle (T/B/L/R) | 60/60/70/70 |
| Touch Panel | Type | 4-wire Resistive Type |
| | Accuracy | Active Area Length(X)±2%, Width(Y)±2% |
| Memory | Flash | 128 MB |
| | RAM | 128 MB |
| Processor | | ARM RISC 528MHz |
| I/O Port | SD Card Slot | N/A |
| | USB Host | USB 2.0 x 1 |
| | USB Client | N/A |
| | Ethernet | 10/100 Base-T x 1 |
| | COM Port | Con.A: COM2 RS-485 2W/4W, COM3 RS-485 2W Con.B: COM1 RS-232 4W, COM3 RS-232 2W* |
| | RS-485 Dual Isolation | N/A |
| | CAN Bus | N/A |
| | HDMI | N/A |
| | Audio Output | N/A |
| | Video Input | N/A |
| RTC | | Built-in |
| Power | Input Power | 10.5 ~ 28VDC |
| | Power Isolation | Built-in |
| | Power Consumption | 1.3A@12VDC ; 650mA@24VDC |
| | Voltage Resistance | 500VAC (1 min.) |
| | Isolation Resistance | Exceed 50MΩ at 500VDC |
| | Vibration Endurance | 10 to 25Hz (X, Y, Z direction 2G 30 minutes) |
| Specification | PCB Coating | N/A |
| | Enclosure | Plastic |
| | Dimensions WxHxD | 271 x 213 x 36.4 mm |
| | Panel Cutout | 260 x 202 mm |
| | Weight | Approx. 1 kg |
| | Mount | Panel mount |
| Environment | Protection Structure | NEMA4 / IP65 Compliant Front Panel |
| | Storage Temperature | -20° ~ 60°C (-4° ~ 140°F) |
| | Operating Temperature | 0° ~ 50°C (32° ~ 122°F) |
| | Relative Humidity | 10% ~ 90% (non-condensing) |
| Certificate | CE | CE marked |
| Software | | EasyBuilder Pro |

*Only Tx & Rx (no RTS/CTS) may be used for COM1 RS-232 when COM3 RS-232 is also used.

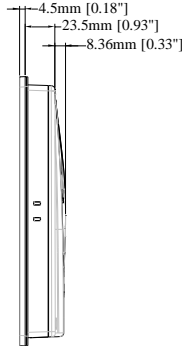
Dimensions



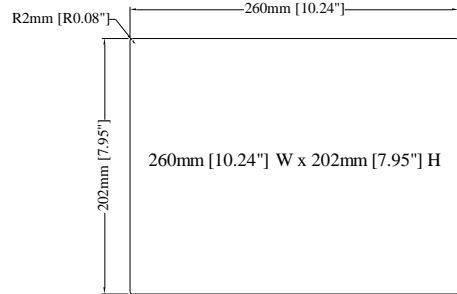
Top View



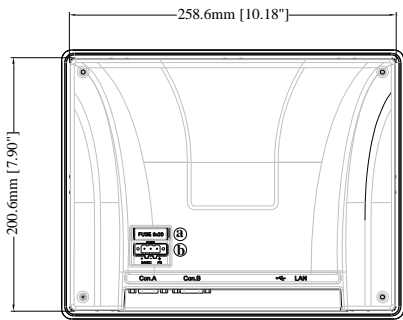
Front View



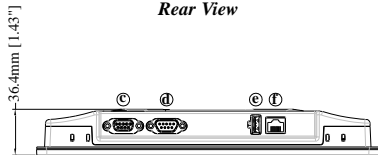
Side View



Cutout Dimensions



Rear View



Bottom View

| | |
|-----------|--|
| a. | Fuse |
| b. | Power Connector |
| c. | Con.A: COM2 RS-485 2W/4W, COM3 RS-485 2W |
| d. | Con.B: COM1 RS-232 4W, COM3 RS-232 2W |
| e. | USB Host Port |
| f. | LAN |

Pin Assignment:

Con.B: COM1 / COM3 [RS232] 9 Pin, Male, D-sub

| PIN# | COM1 [RS232] | COM3 [RS232] |
|------|--------------|--------------|
| 1 | | |
| 2 | RxD | |
| 3 | TxD | |
| 4 | | |
| 5 | GND | |
| 6 | | |
| 7 | RTS | TxD |
| 8 | CTS | RxD |
| 9 | GND | |

Con.A: COM2 / COM3 [RS485] 9 Pin, Female, D-sub

| PIN# | COM2 [RS485]2W | COM2 [RS485]4W | COM3 [RS485] |
|------|----------------|----------------|--------------|
| 1 | Data- | Rx- | |
| 2 | Data+ | Rx+ | |
| 3 | | Tx- | |
| 4 | | Tx+ | |
| 5 | GND | | |
| 6 | | | Data- |
| 7 | | | |
| 8 | | | |
| 9 | | | Data+ |